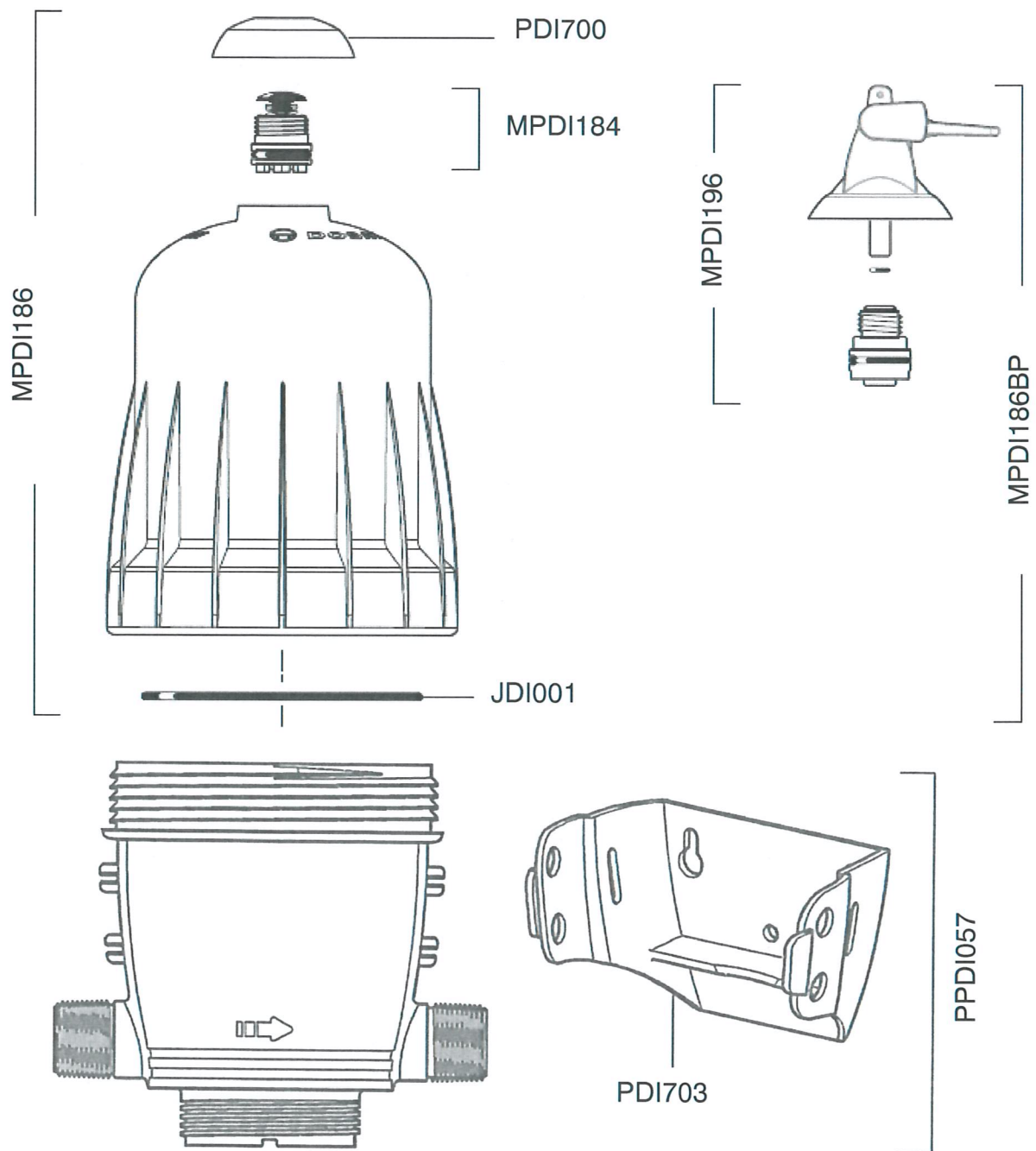


DOSATRON D3RE2

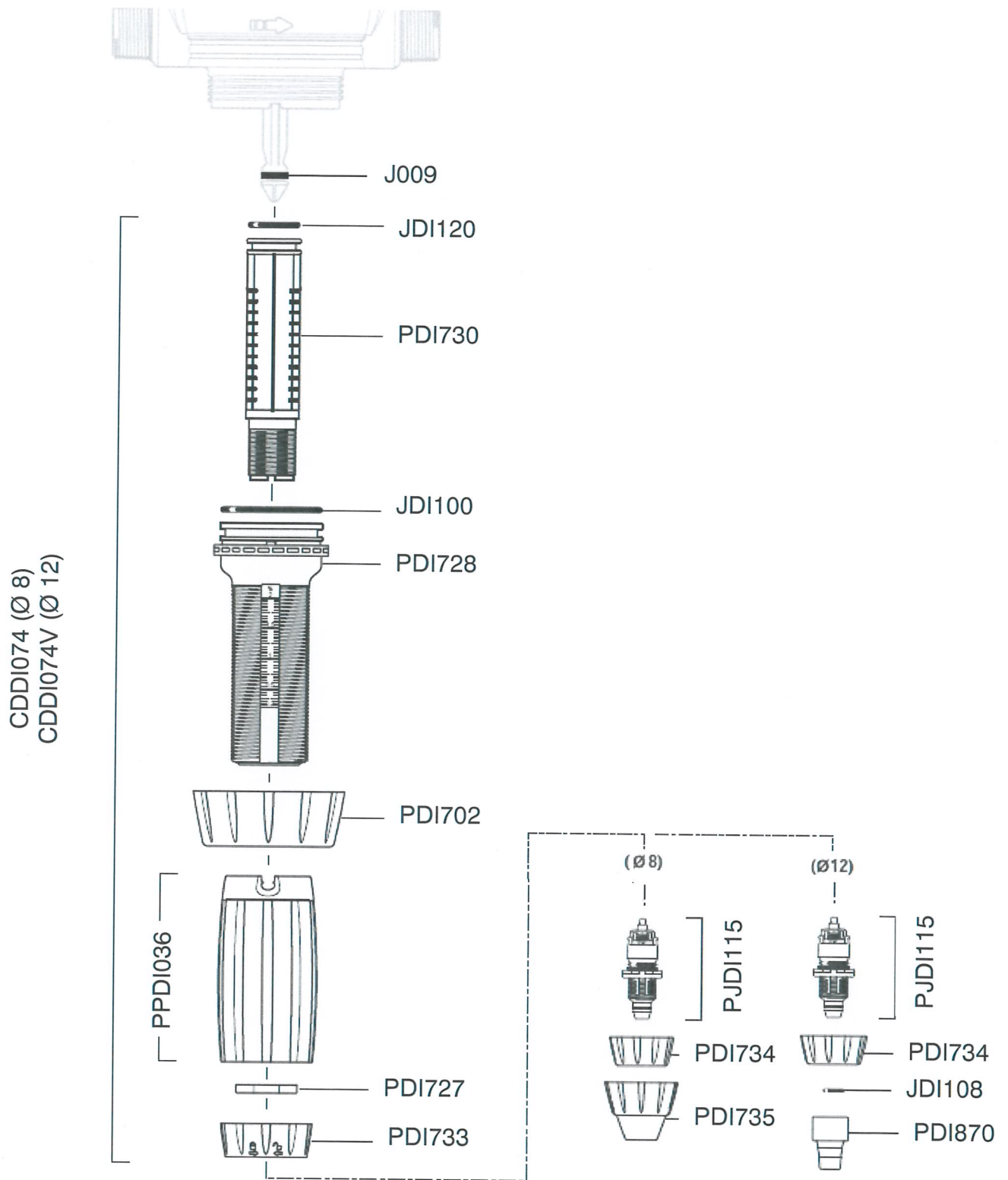
3m³/h – 0.2 - 2%
0.3 - 6 bar



PVDF – MPDI186P – Bell Housing Assembly PVDF
MPDI186BPP – Bell Housing Assembly PVDF and By Pass
PPDI057P – Lower Body PVDF and Wall Bracket

DOSATRON D3RE2

3m³/h - 0.2 – 2%
0.3 - 6 bar



PJDI116 – Seal Set, Non Return Valve and Barbed Fitting (Ø 8):-
(J009, JDI120, JDI100 & PJDI115)

PJDI116V – Seal Set, Non Return Valve and Barbed Fitting (Ø 12):-
(J009, JDI120, JDI100, JDI108 & PJDI115)

