



Download our
DOSATRON
app



FABRIQUÉ PAR
MANUFACTURED BY
HERGESTELLT VON
FABBRICATO DA
FABRICADO POR
GEPRODUCEERD DOOR
ИЗГОТОВЛЕНО
PRODUKCJA
FABRICADO POR

DOSATRON INTERNATIONAL S.A.S.

Rue Pascal - B.P. 6 - 33370 TRESSES (BORDEAUX) - FRANCE

Tel. 33 (0)5 57 97 11 11

Fax. 33 (0)5 57 97 11 29 / 33 (0)5 57 97 10 85

info@dosatron.com - www.dosatron.com

© DOSATRON INTERNATIONAL S.A.S 2018



NTD8GL-07-18



Manuel d'utilisation
Owner's manual
Gebrauchsanweisung
Manuale d'uso
Manual de utilización
Gebruiksaanwijzing
Руководство пользователя
Instrukcja obsługi
Manual de utilização

D8 - GREEN LINE

Français..... Page 5

English..... Page 39

Deutsch Seite 73

Italiano Pagina 107

Español..... Página 141

Nederlands Pagina 175

РУССКИЙ СТР 209

Polski Strona 243

Português..... Página 277

**Annexes/Enclosure/Anhang/Anejos/Allega
Bijvoegsel/Приложения/ Załączniki/ Anexos... 311**

FR

EN

DE

IT

ES

NL

RU

PL

PT

NOTES

English

EN

This document does not form a contractual engagement on the part of Dosatron International and is for information only. Dosatron International reserves the right to alter product specification or appearance without prior notice.
© DOSATRON INTERNATIONAL S.A.S. 2016

You have just become the owner of one of the latest in the line of DOSATRON water powered metering pumps and we congratulate you on your choice.

The development of this model is the result of over 40 years experience. Our engineers have placed the DOSATRON series at the forefront of technical development in the field of in the field of DOSATRON water powered metering pumps.

This DOSATRON will, as time goes by, prove itself to be a most faithful ally.

A little care and attention, regularly spent, will guarantee you an operation in which the word breakdown has no place.

THEREFORE, PLEASE, READ THIS MANUAL CAREFULLY BEFORE PUTTING THE DOSATRON INTO OPERATION.

Important !

The complete model reference and the serial number of your DOSATRON is stamped on the pump body.

Please record this number in the space below and refer to it when you call your distributor for information, parts, and service.

Ref. #.....

Serial #

Purchase Date

NOTES

Summary

REFERENCE DESIGNATION

Codification of the reference	43
Reference	45
Unit size	45

INSTALLATION

Precautions	48
Assembling the Dosatron.....	51
Connecting the external injection	53
Installation hints.....	56
The product's automatic anti-siphoning system	57

PUTTING INTO ORDER

Using for the first time.....	59
Use.....	59
Dosing setting.....	60
Dosing principle	60
By-Pass option.....	60

MAINTENANCE

Recommendations.....	61
How to drain the Dosatron.....	61
Fitting the suction tube	62
Changing the motor piston	62
Changing the dosing seal.....	63
Changing the plunger piston.....	64
Changing the external injection seals.....	65
Changing the dosing seals	67
Cleaning and reassembly of the suction valve	67

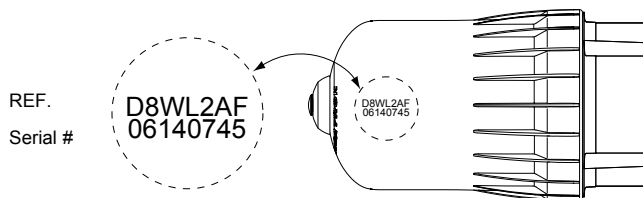
TROUBLESHOOTING	68
------------------------------	-----------

LIMITED WARRANTY	71
-------------------------------	-----------

Reference designation

Your doser has 2 principal marking zones enabling it to be identified in detail:
A 2-line engraving on the edge of the top of the DOSATRON (see picture below), containing the exact reference of the device and the serial number.

A technical label on each side of the doser body indicating the technical performances of the device.



CODIFICATION OF THE REFERENCE

REF. :	Serial #:										
Example	D8	WL	2	N	IE	BP	V	VF	K	P	
Type of Dosatron											
Product line WL: Water Line											
Dosage											
Certification N: Drinking water standard											
IE: External injection											
BP: Integrated By-pass											
V: Viscous Products (> 400 cPs)											
Dosing Seals VF: Acid fluid AF: Alkaline fluid											
K: Strong acids (>15%)											
P: Option body pump PVDF											

The Water Line dosers, the reference of which contains the index «N» after the dosage indication, are certified NSF 61. They are thus certified for use with calcium hypochlorite, the concentration of which does not exceed 65%, and sodium hypochlorite, the concentration of which does not exceed 15%. Also, the temperature of the water processed must not exceed 23°C.

SPECIFICATIONS

	D8WL3000	D8WL3000IE	D8WL2
--	----------	------------	-------

Operating flow range : 500 l/h mini 8 m³/h maxi [2.2 US Pint/min - 40 US GPM].

Maximum operating temperature :40 °C [104 °F]

Operating pressure :

bar	0.15 - 8	0.35 - 8	0.15 - 8
PSI	2.2 - 116	5.1 - 116	2.2 - 116

Externally adjustable or fixed injection rate :

%	0.03 - 0.125	0.03 - 0.125	0.2 - 2
Ratio	1:3000 - 1:800	1:3000 - 1:800	1:500 - 1:50

Concentrated additive injection :

Mini l/h - Maxi l/h	0.15 - 24	0.003 - 9	1 - 160
US Fl. oz/min - MINI	0.08	0.0017	0.56
US GPM - MAXI	0.1056	0.04	0.70

Connections (NPT/BSP male) :Ø 40x49 mm [1 1/2"].

Hydraulic motor capacity (for every 2 clicks of the piston) :
around 1.7 l [0.449 US Gallons]

**NOTE: The Dosatron is not preset,
see chapter DOSING SETTING**

UNIT SIZE

Diameter :	cm ["]	17.55 [6 9/10]	17.55 [6 9/10]	17.55 [6 9/10]
Total height :	cm ["]	66.83 [26 3/10]	70.55 [27 25/32]	64.16 [25 13/50]
Width :	cm ["]	21.8 [8 1/2]	19.023 [7 1/2]	21.8 [8 1/2]
Weight : ± kg [lbs]		3.3 [7.3]	4.1 [9]	3.3 [7.3]

SHIPPING CONTENTS: 1 DOSATRON / 1 mounting bracket for DOSATRON / 1 suction tube of concentrated additive / 1 strainer / 1 injection suction tube for "IE" model / 1 owner's manual

PACKAGE SIZE:

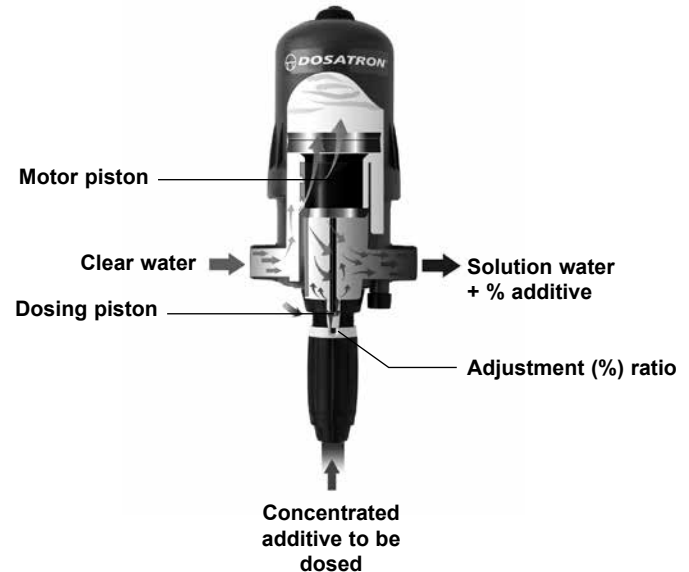
67 x 22.5 x 20.5 cm [26 3/8" x 8 7/8" x 8 1/16"]

PACKAGE WEIGHT: 5.5 kg approx [~ 12.1 US lbs]

DOSATRON Technology

A unique technology associating all dosing functions

Installed directly in the water supply line, the DOSATRON operates by using water pressure as the power source. The water activates the DOSATRON, which takes up the required percentage of concentrate. Inside the DOSATRON, the concentrate is mixed with the water. The water pressure forces the solution downstream. The dose of concentrate will be directly proportional to the volume of water entering the DOSATRON, regardless of variations in flow or pressure which may occur in the main line.



Installation

PRECAUTIONS

1-GENERAL REMARKS

- When connecting a DOSATRON either to the public water supply or to its own water source, you must respect the regulations in force concerning protection of the source i.e. backflow prevention, etc.
- When connecting the DOSATRON to the water supply, ensure that the water flows in the direction of the arrows on the unit.
- In a case where the water installation is higher than the DOSATRON itself, there is a possible risk of water and concentrate flowing back through the DOSATRON. In this case, installing a non-return valve downstream is recommended.
- It is recommended that you should place an anti-siphon valve on the downstream side of the dosing pump in installations in which there is a risk of siphoning.
- Do not install the DOSATRON just above an acid container, (risk of acid fumes attacking the DOSATRON) and protect it from possible contact with corrosive products.
- Protect the DOSATRON from freezing temperatures by draining it and store it away from sources of excessive heat.
- Do not install the DOSATRON on the suction side of the supply pump (risk of siphoning).

⚠ IMPORTANT ! Use no tool or metallic utensils.

- During any intervention the operator must stay in front of the DOSATRON and wear protective eyewear and gloves.
- It is the responsibility of the owner/operator to replace the injection seals annually to ensure precise injection.

The setting of the Dosatron's dosing rate is the sole responsibility of the user. The user has to respect the recommendations given by the manufacturer of the chemical product.

⚠ AVERTISSEMENT

When installing, operating, and maintaining the DOSATRON water powered metering pump, keep safety considerations foremost. Use proper tools, protective clothing, and eye protection when working on the equipment and install the equipment with a view toward ensuring safe operation.

Follow the instructions in this manual and take additional safety measures appropriate to the liquid being pumped and the temperature of the water that powers the DOSATRON.

PRECAUTIONS (cont...)

- Be extremely careful in the presence of hazardous substances (e.g. corrosives, toxins, solvents, acids, caustic, flammables, etc.).
- Before applying any aggressive chemicals, please consult your distributor to confirm compatibility with the dosing pump.

IMPORTANT !

It is the responsibility of the owner/operator to check that the flow and pressure of the installation do not exceed the DOSATRON characteristics.

- Adjustment must be made when there is no pressure in the Dosatron. - Turn off the water supply and allow the pressure to drop to zero.
- It is the responsibility of the owner/operator of the DOSATRON, to determine the correct amount of solution and injection ratio to obtain the desired result.
- An air inlet, an impurity or a chemical attack on seal can interrupt the dosing function. It is recommended to periodically check that the solution is being correctly drawn up into the DOSATRON.
- Change the suction tube as soon as it seems damaged by the chemical.
- Relieve the pressure after use (advised).
- Rinsing of the DOSATRON is

- required :
- . when changing chemicals,
 - . before handling the DOSATRON, to avoid any contact with the chemical.
 - All assembly should be done without tools, hand tighten only.

2 - WATER WITH HIGH PARTICLE CONTENT

- A (ex.: 60 microns - 300 mesh depending on your water quality) water filter must be installed upstream from the DOSATRON (see accessories), if a filter is not installed abrasive substances will cause the DOSATRON to deteriorate prematurely.

3 - WATER-HAMMER / EXCESSIVE FLOW


- For installations subject to water hammer a protection device such as a check valve or union ball check must be fitted (pressure/flow control system).
- For automatic installations, slow opening and closing solenoid valves are preferable.
- In an installation where a DOSATRON serves several sectors, the closing of one sector and the opening of another sector must be done at the same time (simultaneous operation of the solenoid valves).

4 - INSTALLATION LOCATION

- The location of the DOSATRON and concentrate container should be accessible, but should never

present a risk of pollution or contamination.

- It is recommended to label all water lines with a warning about the injected solution i.e.

 IMPORTANT ! Not For Human Consumption.

5 - MAINTENANCE

- Rinse the injection areas after using the DOSATRON. To do this, insert suction tube into a container of clean water and inject about 1/4 liter [8 1/2 US Fl.oz].
- Routine maintenance once a year will add to the life of your DOSATRON. Replace the injection seals as well as the suction hose annually to ensure proper injection.

6 - SERVICE

- This DOSATRON was tested prior to packaging.
- Complete maintenance and seal kits are available.
- Call your DOSATRON distributor for service or parts.

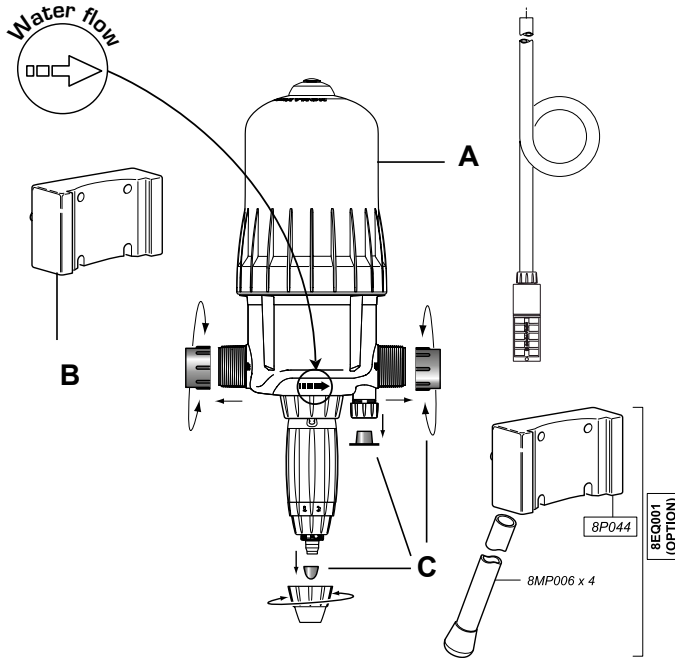


Fig. 1

ASSEMBLY SHOULD BE CARRIED OUT WITHOUT THE USE OF TOOLS

The DOSATRON is delivered with :

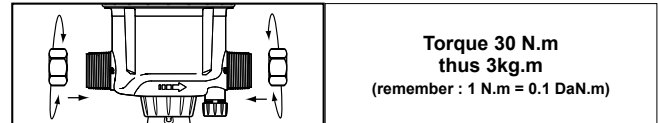
- a mounting bracket,
- a suction tube with a strainer.

The bracket enables the DOSATRON to be fixed to a wall.

Snap the DOSATRON into the bracket by fitting the two lugs on one side of the body (**Fig. 1-A**) into the corresponding holes in the bracket (**Fig. 1-B**), and springing the bracket arms apart until the other 2 lugs click into place.

Remove the plastic caps (**Fig. 1-C**) which block the inlet and outlet of your DOSATRON before connecting to the water supply.

RECOMMENDATIONS



The DOSATRON can be connected to the water supply by means of $\varnothing 40 \times 49$ [1 1/2"] bore flexible hose and hose tail fittings with hose clips. Make certain that the water flows in the direction of the arrows on the motor body.

The DOSATRON is delivered with a suction tube (cut it to the needed length) enabling its use with a large capacity concentrate container. The tube must be fitted with its strainer and weights. The instructions for fitting the tube are to be found in the specific chapter.

NOTE : The maximum suction height is 4 meters (13 vertical feet).

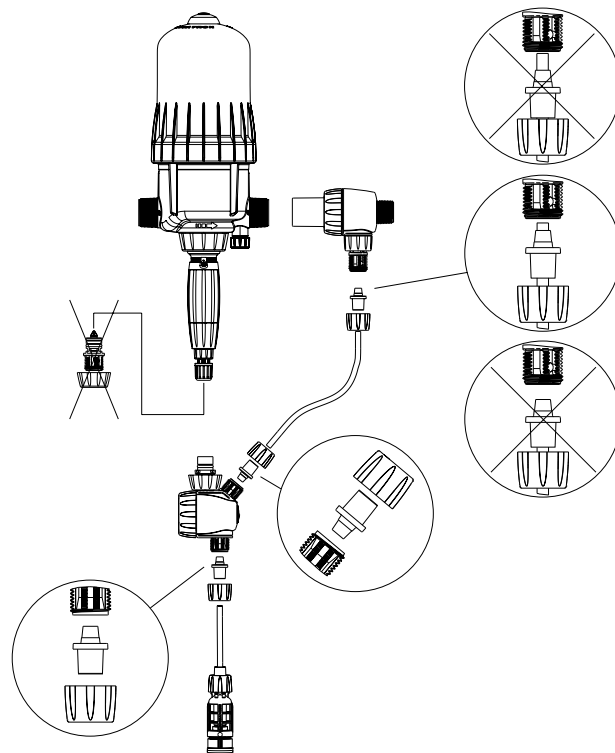
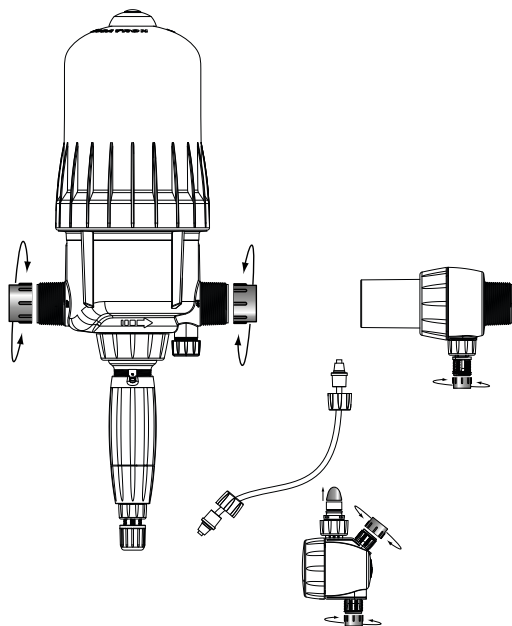
Fit the tube, equipped with its strainer and its weight, and immerse it in the solution to be injected.

CONNECTING THE EXTERNAL INJECTION (IE)

MODEL D8WL3000IE

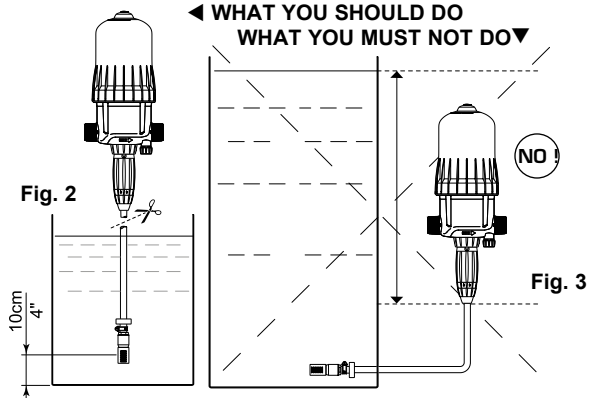
This model of Dosatron is supplied with an external injection pipe. Remove the external protective plugs which seal the orifices of your DOSATRON and your external injection kit.

WARNING: do not use excess force when screwing the elements together.



ASSEMBLING THE DOSATRON (cont...)

IMPORTANT ! - Do not put the suction tube strainer on the bottom of the stock solution container. The strainer must be suspended at least 10cm [4"] above the bottom of the tank to avoid sucking up the insoluble particles that may damage the injection assembly (Fig. 2).
 - Do not put the strainer on the ground.



Under no circumstance should the solution level be above the water inlet of the DOSATRON (to avoid siphoning situations) (Fig. 3).

INSTALLATION HINTS

The DOSATRON can be connected to the main water line **directly** (Fig. 4) ; on a **by-pass** (Fig. 5-A), recommended.

If your flow rate is above the operating limits of the DOSATRON, see **EXCESSIVE FLOW**.

To prolong the working life of the DOSATRON it is advisable to install a filter (ex.: 300 mesh - 60 microns depending on your water quality) upstream.

This is imperative if the water contains impurities or particles, especially if the water comes from

a well.

A filter is recommended and required for the warranty to be valid.

Installing the DOSATRON on a bypass enables clean water to be supplied without operating the DOSATRON and the DOSATRON to be easily dismantled.

When connecting an installation to the public water supply, you must respect the rules and regulations in force in the country.

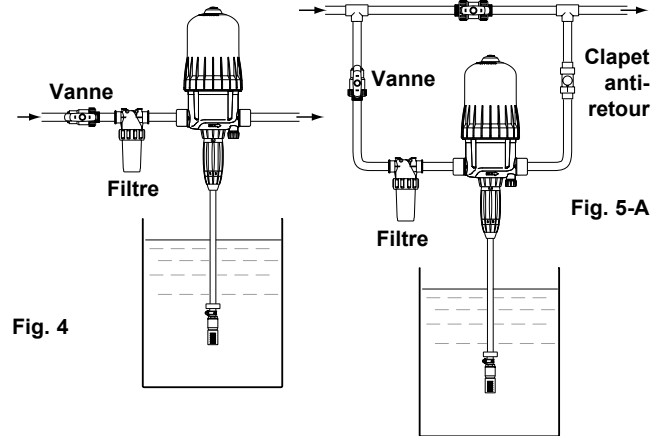


Fig. 4

Fig. 5-A

EXCESSIVE FLOW (as an indication)

If your DOSATRON clicks more than **40 times in 15 seconds*** (that is 20 cycles), you are close to the superior flow limit. If you need more flow, you must install a DOSATRON with a superior capacity of flow.

THE PRODUCT'S AUTOMATIC ANTI-SIPHONING SYSTEM

- Automatically restores atmospheric pressure within the installation in case of accidental depressurisation* (**Fig. 5-B**). Its use complies with health and safety regulations in force in the country.
- Complies with prescribed regulations.
- When commissioning the machine, remove the red cap.

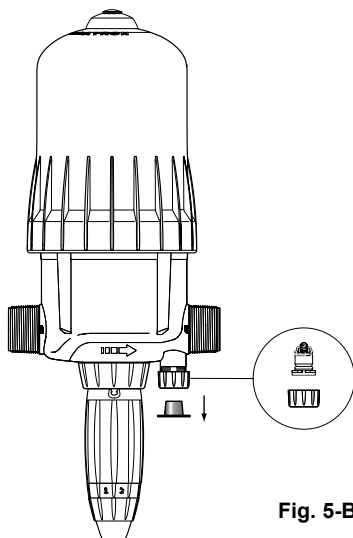


Fig. 5-B

* Example: where the doser's outlet is lower than the inlet.

Putting the DOSATRON into order

USING FOR THE FIRST TIME

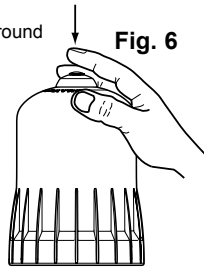
- Partially open the water inlet valve.
- Press the bleed button on the top of the DOSATRON (Fig. 6).

- When a constant flow of water is seen coming from around the bleed button (no more «spitting» of air), release the button.

- Open the water inlet valve slowly, the DOSATRON is self-priming.

- Operate the DOSATRON until the product to be injected is drawn up into the doser body (the product is visible through the plastic tube).

- The DOSATRON makes a characteristic “click-clack” noise when working.



NOTE: The time required to prime the suction tube depends on the water flow-rate, the ratio setting and the length of the suction tube. To bleed the air from the suction tube and accelerate the priming, set the injection rate at maximum. Once the DOSATRON is primed, adjust to the required injection rate (see § ADJUSTING THE INJECTION RATE).

USE

The device is designed to operate with fluids the temperature of which must not exceed 40°C* (engine fluid, additive, engine fluid/additive mixture). In the event of installation subject to operating at temperatures less than 5°C, protect the installation from frost (see precautions instructions). The dosers are designed for use up to 6 bars. The installation must be protected against any overpressure risk. The installation must also be sized to avoid any oscillating hydraulic phenomenon (water hammer). If necessary an anti-water hammer device should be fitted.

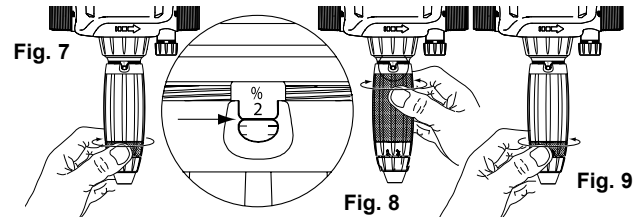
*Certification: see codification paragraph.

ADJUSTING THE INJECTION RATE (with pressure off)

IMPORTANT ! Use no tools.

Adjustment must be made when there is no pressure in the DOSATRON.

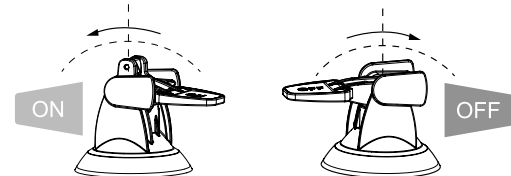
- Turn off the water supply and allow the pressure to drop to zero.
- Unscrew the blocking ring (Fig. 7).
- Screw or unscrew the adjusting nut in order to line up the 2 peaks of the eyelet with the desired ratio on the scale (Fig. 8).
- Tighten the blocking ring (Fig. 9).



DOSAGE PRINCIPLE

Principle : Setting at 1% \Rightarrow 1/100 = 1 part of concentrate for 100 parts of water.

BY-PASS OPTION



The DOSATRON may be fitted in its upper part with the function by-pass (optional equipment) :

- By-pass in ON, the DOSATRON works and the concentrate is drawn up.
- By-pass in OFF, the DOSATRON is stopped and does not draw up the product.

Maintenance

RECOMMENDATIONS

1 - When using soluble products to be made up into solutions, we recommend the periodic dismantling of the entire dosing part (see : § CLEANING AND REFITTING THE SUCTION VALVE, § CHANGING SEALS IN THE INJECTION ASSEMBLY).

Thoroughly rinsing all the elements of the dosing part with water and re-assembling them after having previously lubricated the seal (Fig. 10) with a silicone lubricant, in the case of difficulty in re-fitting.

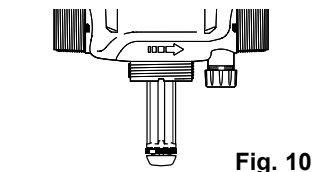
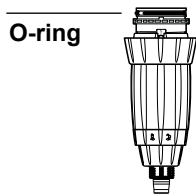


Fig. 10



O-ring

2 - Before putting the DOSATRON into operation after a non-use period, remove the motor piston and soak it into lukewarm water < 40° C [104° F] overnight. This helps to dissolve any deposits which may have dried onto the piston motor.

HOW TO DRAIN THE DOSATRON (in case of freezing temperature)

- Turn off the water supply and let the pressure drop to zero.
- Remove the injection assembly, see § CHANGING THE MOTOR PISTON.
- Remove the bell and the motor piston.
- Disconnect the water inlet and outlet fittings.
- Remove the lower pump body from the mounting bracket and empty any remaining water.
- The DOSATRON can now be reassembled, having first cleaned the seal.

FITTING THE SUCTION TUBE

If the DOSATRON has already been used, please imperatively refer to § PRECAUTIONS.

- Unscrew the nut (Fig. 11) at the bottom of the injection assembly and put it onto the tube.
- Push the tube onto the barbed fitting as far as it will go and screw up the nut by hand (Fig. 12).

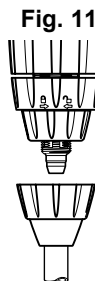


Fig. 11

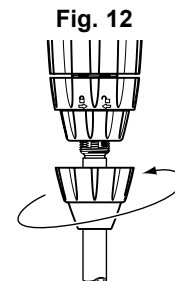


Fig. 12

CHANGING THE MOTOR PISTON (with pressure off)

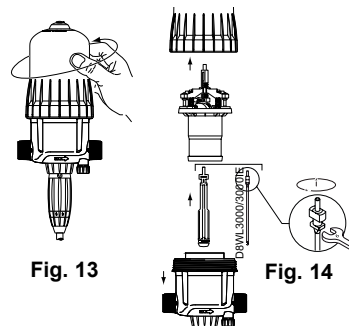


Fig. 13

Fig. 14

- Turn off the water supply and allow the pressure to drop to zero.
- Unscrew and remove bell-housing by hand (Fig. 13).
- Remove the motor piston (Fig. 14) by pulling it up.
- Rod and plunger piston are fixed to the motor piston and taken out simultaneously.
- Change and reassemble in the reverse order to the above.
- Refit the bell-housing (take care not to damage its seal) and tighten by hand.

CHANGING SEALS IN THE INJECTION ASSEMBLY (with pressure off)

Frequency : Once per year.

IMPORTANT ! Use no tool or metallic utensils

ADVICE: Before dismantling any part of the injection assembly it is advisable to operate the DOSATRON, injecting clean water so as to rinse through the injection system. In this way, risks of contact with concentrated solutions in the injection assembly are minimized.

During any such intervention, wear protective eyewear and gloves !

METHOD OF REMOVING SEAL

Fig. 15 : Between finger and thumb, pinch the component and the seal ; push towards one side to deform the seal.

Fig. 16 : Increase the deformation to grip the part of the seal thus exposed and pull it out of its groove.

Clean the seal seating without any tools.

Refitting is done by hand.

It is very important that the seal is not twisted once in place as this would impair its efficiency.

Fig. 15



Fig. 16



CHANGING THE PLUNGER PISTON (SEAL EQUIPMENT) D8WL3000 or D8WL3000IE MODEL

Frequency : Once per year.

IMPORTANT ! Use no tool or metallic utensils

ADVICE: Before dismantling any part of the injection assembly it is advisable to operate the DOSATRON, injecting clean water so as to rinse through the injection system. In this way, risks of contact with concentrated solutions in the injection assembly are minimized.

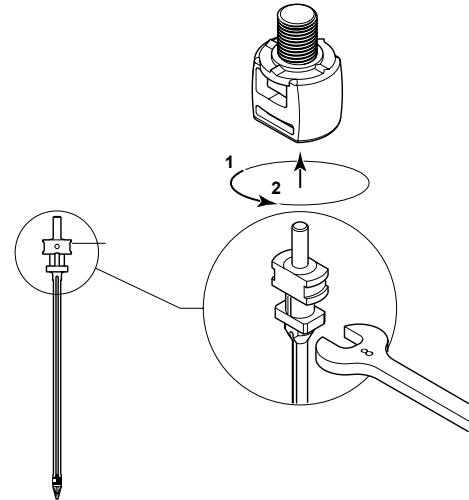
During any such intervention, wear protective eyewear and gloves !

METHOD FOR REPLACING THE PLUNGER PISTON

Use an open-ended 8 spanner to unscrew the worn plunger piston from the plunger catch.

Put the new plunger piston in place (seal factory pre-assembled) screwing it in with the same spanner.

It is very important that the seal is not twisted once in place since this may impair leaktightness.



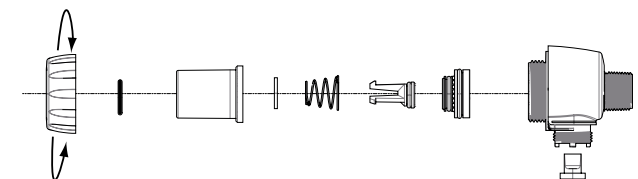
CHANGING THE EXTERNAL INJECTION SEALS (D8WL3000IE)

Frequency : Once per year.

IMPORTANT ! Use no tool or metallic utensils

ADVICE: Before dismantling any part of the injection assembly it is advisable to operate the DOSATRON, injecting clean water so as to rinse through the injection system. In this way, risks of contact with concentrated solutions in the injection assembly are minimized.

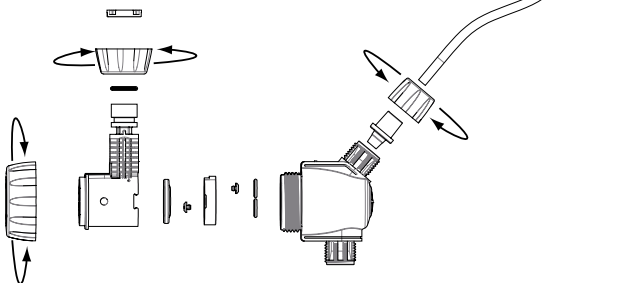
During any such intervention, wear protective eyewear and gloves !



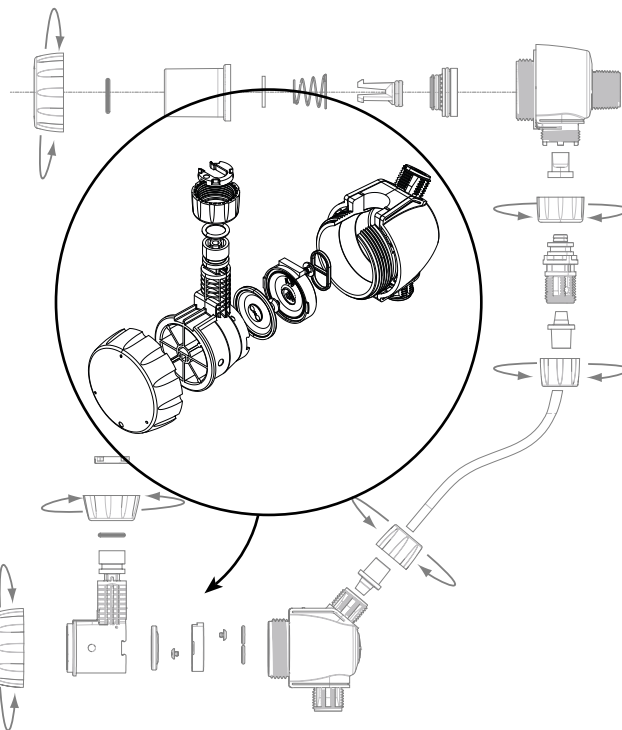
In the event of using with hard water it is recommended that you descale the external injection section at a frequency to be validated on site.

Remove the nuts identified on the view below.

Replace the O-ring seals, the non-return valve, the membrane and the whole seat of the umbrella valves (do not replace the umbrellas alone). Reassemble all the elements in the opposite direction from disassembly taking care to respect the direction of assembly of the membrane and the valve seat (see perspective view)



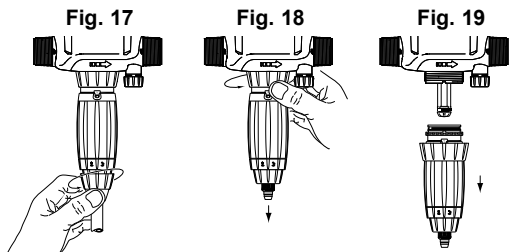
CHANGING THE EXTERNAL INJECTION SEALS (D8WL3000IE)



CHANGING THE DOSING SEALS

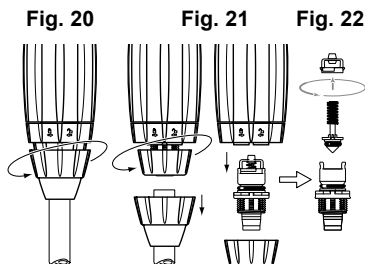
Please refer to the drawings of the different models at the end of this manual

- Change the seals once a year.
- Turn off the water supply and allow the pressure to drop to zero.
- Take off the suction tube of product (Fig. 17).
- Unscrew the retaining ring (Fig. 18).
- Pull downwards to remove the injection assembly (Fig. 19).
- Change the seals, the suction valve and the barbed fitting.
- Re-assemble in the reverse order to the above **by hand**.



CLEANING AND RE-ASSEMBLING THE SUCTION VALVE SEAL

- Turn off the water supply and allow the pressure to drop to zero.
- Unscrew the nut and pull downwards to remove the suction tube (Fig. 20).
- Unscrew and take off the suction valve retaining nut (Fig. 21), pull out the valve assembly, dismantle the valve and thoroughly rinse the separate components in clean water.
- Put the valve components in the order shown in the diagram (Fig. 22).



Troubleshooting

SYMPTOM	CAUSE	SOLUTION
Motor piston		
DOSATRON does not start or stops	Piston stalled.	Reset piston, by hand.
	Air has not been bled from unit.	Bleed air from unit, by bleed button.
	Maximum flow exceeded.	1. Reduce flow, restart unit. 2. Unscrew the top cap. Take off the piston and check piston valves seals to ensure correct position.
	Motor piston is damaged.	Return unit to your service center for repair.
Injection		
Water flowing back into concentrate container.	Contaminated, worn, or missing check valve parts.	Clean or replace it.
	For IE model: injection module membrane and umbrella valve damaged	Replace the membrane and the valve seat
	For IE model: Non-return valve and umbrella valves damaged or scaled	Descale or replace the non-return valve and the valve seat
No suction of concentrate.	The piston motor has stopped.	See Motor piston section.
	Air leak (inlet) in the suction tube.	Check the tightness between nut and suction hose.
	For IE model: External injection pipe obstructed or scaled.	Descale or replace the external injection pipe
	Blocked suction tube or clogged strainer.	Clean or replace it.
	Missing or worn plunger seal.	Clean or replace it. Version WL3000 : replace the complete plunger assembly (plunger+seal).
	Worn injection stem	Replace it.

SYMPTOM	CAUSE	SOLUTION
Injection		
Under injection.	Suction of air.	<ol style="list-style-type: none"> 1. Check the tightness of the nuts in the injection area. 2. Check suction tube. 3. For the IE (external injection) versions, verify the condition of the external injection pipe
	Dirty or worn check valve seal.	Clean or replace it.
	Max. flow exceeded (cavitation).	Reduce flow.
	Worn plunger seal.	Replace it.
	Worn injection stem	Replace it.
	For the IE models, external injection module and injection T scaled or damaged.	Check the condition of the umbrella valves, of the membrane and of the non-return valve. Descale or replace them as necessary.
Leaks		
Leaks in the vicinity of the fixing ring under the body housing.	Injector sleeve seal is damaged or positioned incorrectly.	Replace it.
Leaks between the setting sleeve and the blocking ring.	Injector stem seal damaged, positioned incorrectly or missing.	Replace it.
Leaks between the body and screw-top.	Screw-top seal is damaged, positioned incorrectly or missing.	Unscrew the screw-top, clean the seal seating, replace or change the seal. Position correctly the screw-top.

SYMPTOM	CAUSE	SOLUTION
Leaks		
Leak between the injection module and the doser body (WL IE models)	Seal of the injection module damaged, incorrectly assembled or absent	Position it correctly, clean the seal seat bearing or replace it.
External leak from the injection module lateral nut.	Nut incorrectly tightened or membrane damaged.	Clean the membrane, replace it if necessary and re-tighten the nut.
Leaks from the injection T.	Internal seals damaged, incorrectly assembled or absent.	Replace.

**THE MANUFACTURER
DECLINES ALL RESPONSIBILITY IF THE DOSATRON
IS USED IN CONDITIONS THAT DO NOT CORRESPOND
TO THE OPERATING INSTRUCTIONS AS INDICATED
IN THIS MANUAL**

Limited Warranty

DOSATRON INTERNATIONAL S.A.S. will provide for replacement of all parts shown to be defective in material or workmanship during a period of twelve months from the date of purchase by the original purchaser.

To obtain warranty replacement of a part, the DOSATRON must be returned with original proof of purchase receipt to the manufacturer or authorized distributor and thereafter recognized as defective after examination by the technical services of the manufacturer or distributor. The DOSATRON must be flushed of any chemical and sent to the manufacturer or distributor prepaid, but will be returned free of charge once repairs are made if found to be covered by the warranty. Any repairs made under warranty will not extend the initial warranty period.

This warranty only covers circumstances where the part has failed due to defects caused by the manufacturing process. This warranty is invalid if the defects are found to be due to the product's misuse, inappropriate use of tools, lack of maintenance or defective installation or environmental accidents or corrosion by foreign bodies and liquids found within or in proximity to the DOSATRON.

Before using any aggressive chemicals, please consult your distributor to confirm compatibility with the dosing pump.

The seals and "o-rings" are not covered under warranty, nor is damage to the DOSATRON caused by water impurities such as sand. A filter (ex.: 300 mesh - 60 microns depending on your water quality) must be used in front of the DOSATRON for the warranty to be valid.

DOSATRON INTERNATIONAL S.A.S. declines any responsibility if the DOSATRON is not used in compliance with the operating instructions and tolerances as indicated in this owner's manual.

This warranty gives you specific legal rights and you may also have other rights which vary from state to state. But any implied warranty or merchantability or fitness for a particular purpose applicable to this product is limited in duration to the time period of this written warranty or any implied warranty.

There is no warranty express or implied relating in any way to products used in conjunction with DOSATRON INTERNATIONAL S.A.S. products.

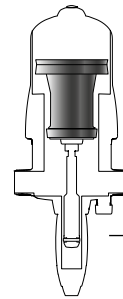
The manufacturer or authorized distributor shall not be liable for incidental or consequential damage, such as any economic loss, resulting from breach of this written warranty or any implied warranty.

There are no warranties, express or implied, which extend beyond those described above.

KNOW YOUR FLOW

A SIMPLE METHOD

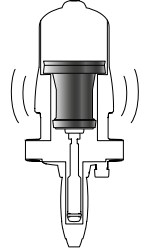
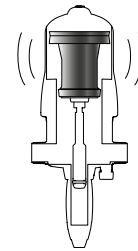
THE DOSATRON IS COMPOSED OF:



A driving volumetric hydraulic motor piston connected to :

a dosing piston.

In its up and down movement, you can hear the motor piston **click**:



2 clicks = 1 motor cycle = The stroke volume

Once in the up position

Once in the down position

The speed of the motor is proportional to the flow of water passing through the system.

■ Calculation of water flow in l/h =

$$\text{Number of clicks in 15 seconds} = x \quad 4 \quad x \quad 60 \quad x \quad 1.7$$

2 clicks = 1 cycle — ②

Calculation for 1 minute

Calculation for 1 hour

Stroke volume in litres

■ Calculation of water flow in GPM =

$$\text{Number of clicks in 15 seconds} = x \quad 4 \quad x \quad 1.7 \quad x \quad 3.8$$

2 clicks = 1 cycle — ②

Calculation for 1 minute

Stroke volume in litres

Conversion litres en gallons

NOTA : This method of calculation cannot replace a flow meter. It is given only as an approximate guide.

**Annexes
Enclosure**

Anhang

Anejos

Allegati

Bijvoegsel

Приложения

Załączniki

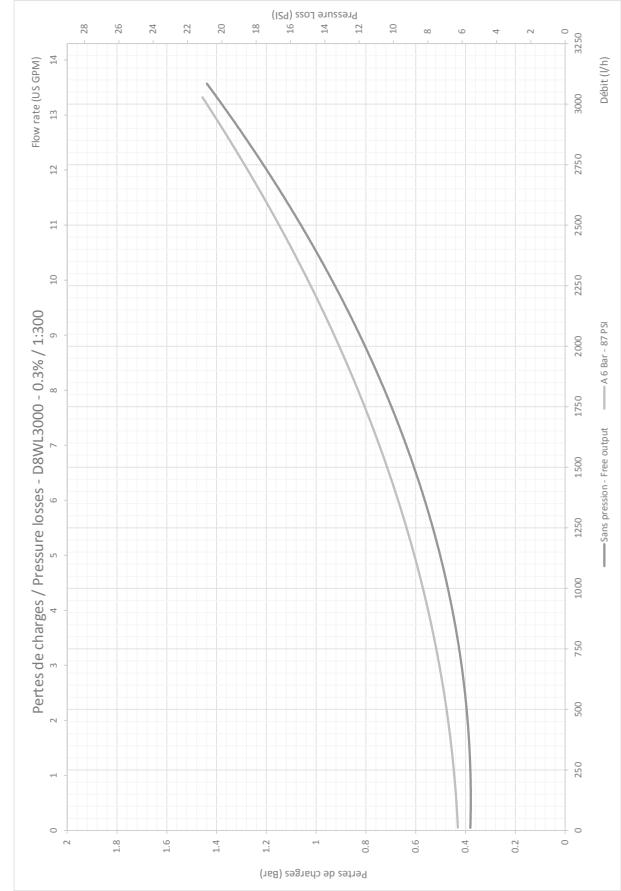
Anexos



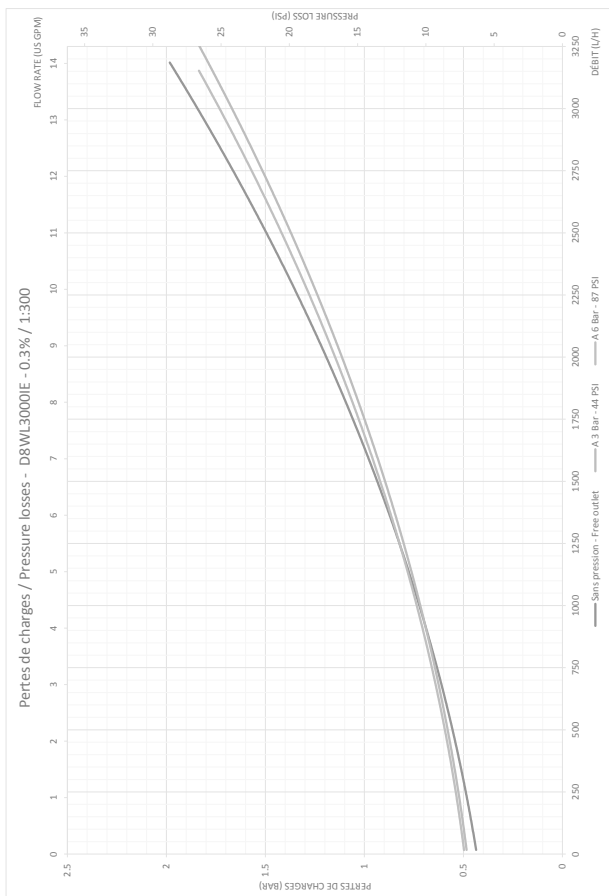
**Courbes / Curves
Diagramm / Curva
Curvas / Grafiek
Кривые / Krzywe
Gráficos**

313.....

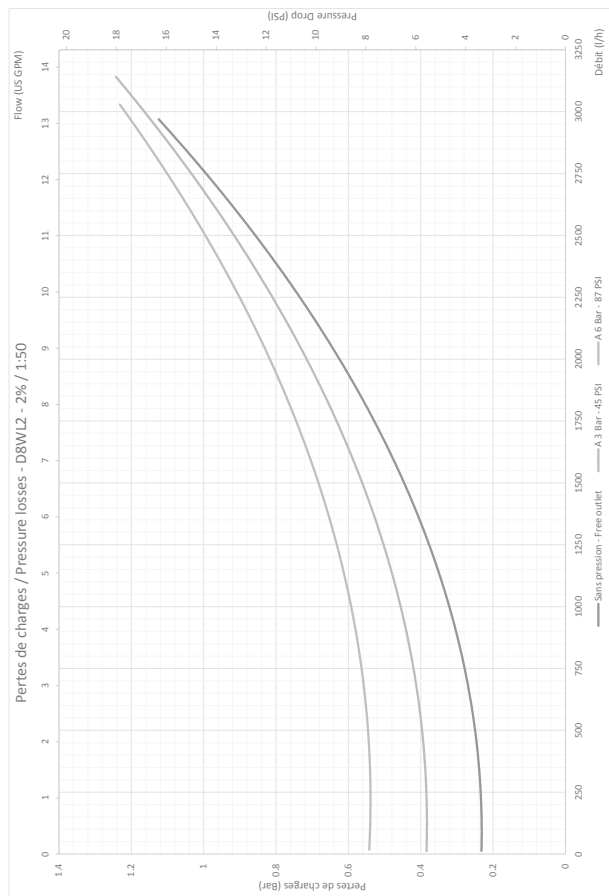
Pertes de charge
Pressure loss
Druckverlust
Perdite di carico
Perdidas de carga
Drukverlies
Потери напора
Przepływ
Caudal



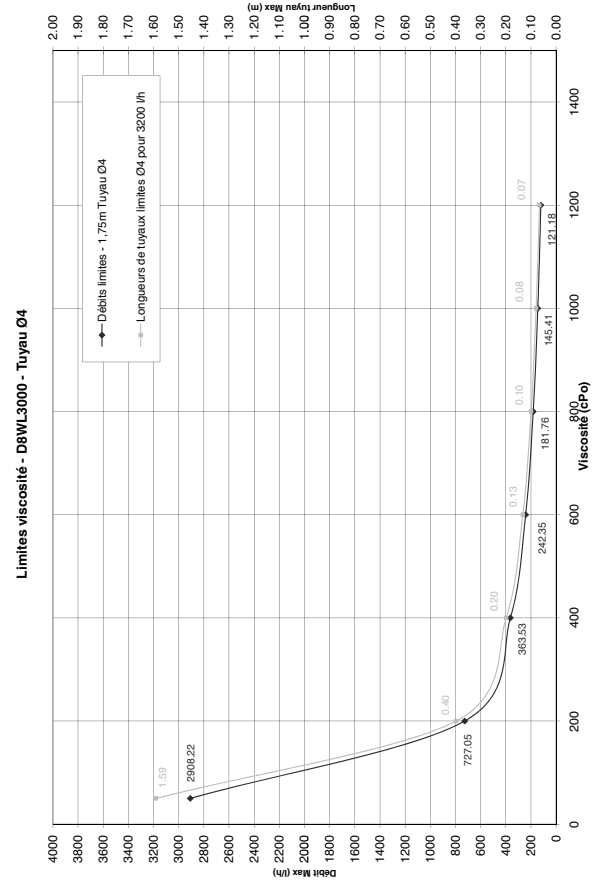
D8WL3000IE



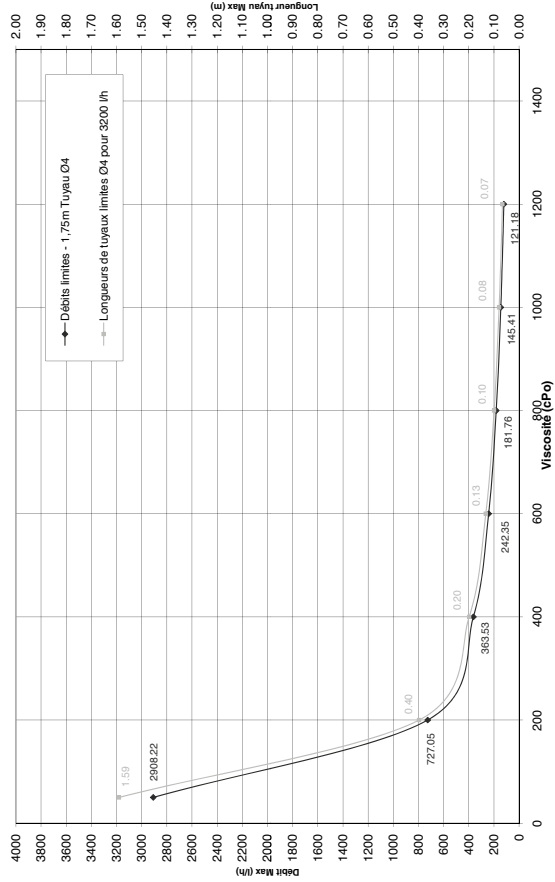
D8WL2



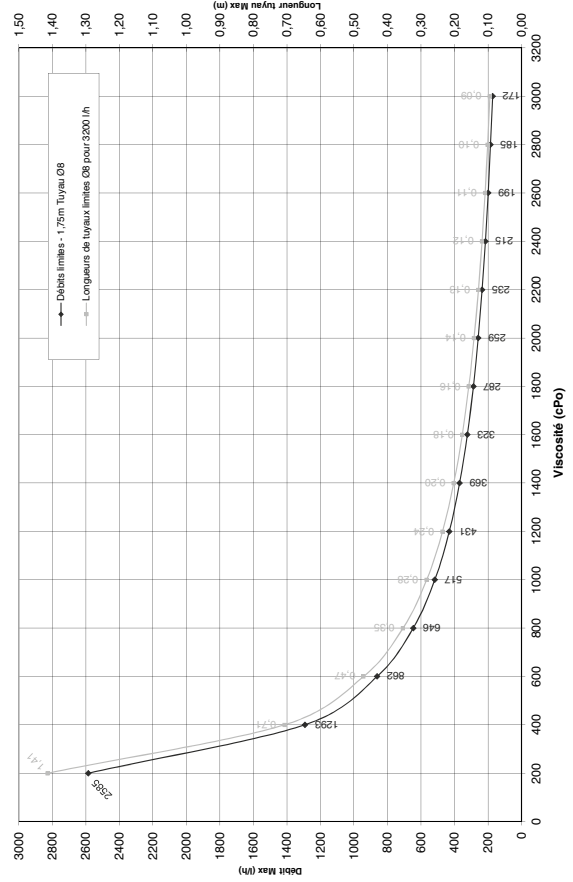
- Limite viscosité
- Viscosity curves
- Grenzwerte dickflüssige Konzentrate
- Curve di Viscosità
- Curvas de Viscosidad
- Grenswaarden viskeuze Concentraten
- Пределы вязкости
- Krzywe lepkości
- Limite de viscosidade



Limites viscosité - D8WL3000IE - Tuyau Ø4



Limites viscosité - D8WL2 - Tuyau Ø8



Ce document ne constitue pas un engagement contractuel et n'est fourni qu'à titre indicatif. La Société DOSATRON INTERNATIONAL se réserve le droit de modifier ses appareils à tout moment.

This document does not form a contractual engagement on the part of DOSATRON INTERNATIONAL and is for information only. The company DOSATRON INTERNATIONAL reserves the right to alter product specification or appearance without prior notice.

Dieses Dokument ist kein bindender Vertragsbestandteil und dient nur zu Informationszwecken. Das Unternehmen DOSATRON INTERNATIONAL behält sich das Recht vor, seine Geräte jederzeit zu verändern.

Questo documento non costituisce un documento contrattuale e viene fornito soltanto a titolo indicativo. La società DOSATRON INTERNATIONAL si riserva il diritto di modificare i propri apparecchi in qualsiasi momento.

Este documento no constituye un compromiso contractual y se suministra solamente a título orientativo. La sociedad DOSATRON INTERNATIONAL se reserva el derecho de modificar sus aparatos en cualquier momento.

Dit document vormt geen contractuele verbintenis en wordt enkel ter informatie gegeven. DOSATRON INTERNATIONAL behoudt zich het recht voor zijn toestellen op elk ogenblik zonder voorafgaande informatie te wijzigen.

Данный документ не является договорным обязательством и поставляется исключительно в порядке информации. DOSATRON INTERNATIONAL оставляет за собой право модифицировать свои изделия в любое время.

Niniejszy dokument nie stanowi zobowiązania umownego. Informacje w nim zawarte mają wyłącznie charakter orientacyjny. DOSATRON INTERNATIONAL zastrzega sobie prawo wprowadzenia zmian do swoich urządzeń w każdej chwili.

Este documento não constitui um compromisso contratual e é apenas fornecido a título indicativo. A sociedade DOSATRON INTERNACIONAL reserva-se o direito de modificar os seus aparelhos em qualquer momento.

CE Conformity Statement

Document N° DOCE05050108

This Dosatron is in compliance with the European Directive 2006/42/CE. This declaration is only valid for countries of the European Community (CE).