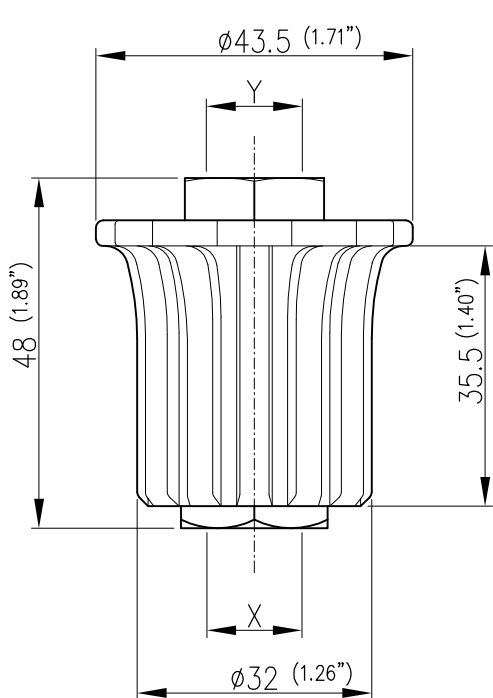
	EQUIPAGGIAMENTI TECNICI LAVAGGIO	TR1 – TESTINA REGOLABILE TR1 – ADJUSTABLE NOZZLE	①	<b>4</b>
			GB	



SPECIFICHE TECNICHE  
SPECIFICATION

– PRESSIONE NOMINALE RATED PRESSURE	250 bar – 25 MPa (3650 psi)
– PRESSIONE CONSENTITA PERMISSIBLE PRESSURE	280 bar – 28 MPa (4050 psi)
– PORTATA MASSIMA MAX FLOW RATE	30 l/min (8 USG p.m.)
– TEMPERATURA MASSIMA MAX WORKING TEMPERATURE	160° C (320 °F)

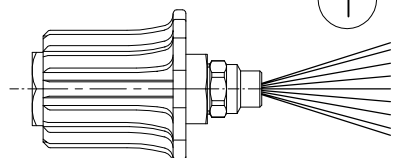
MISURE D'INGOMBRO  
OVERALL DIMENSIONS



$\phi 43.5$  (1.71")  
 $\phi 32$  (1.26")  
48 (1.89")  
35.5 (1.40")  
X  
Y

F.P. UGELLO  
NOZZLE SIZE

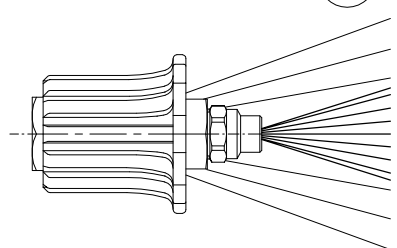
①



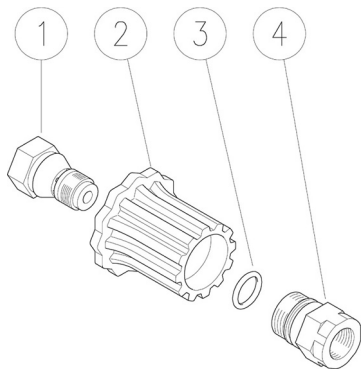

---


F.P. UGELLO + F.P. 20-30  
NOZZLE SIZE + SIZE 20-30

②



CODICE CODE	X	Y
22.0000.00	G 1/4 F	1/4 NPT F
22.0000.05	1/4 NPT F	1/4 NPT F
22.0000.15	G 1/4 F	1/8 NPT F

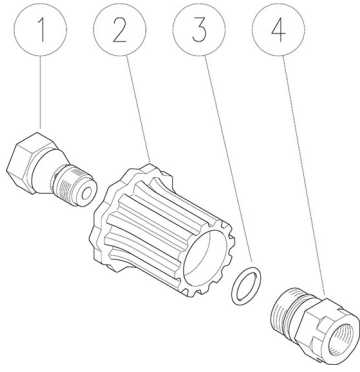
**22.0000.00 TR1 test.reg. G1/4F-1/4F Npt****22.0000.05 TR1 test.reg. 1/4 FF Npt****22.0000.15 TR1 test.reg. G1/4F-1/8F Npt**

Pos.	Codice	Descrizione	Q.tà	K1	K2	K3	K4	
1	22.0001.31R	Portaug. 1/4F Npt-G1/4M ott.	1					5
1	22.0004.31R	Portaug. 1/8F Npt-G1/4M ott. (1)	1					5
2	22.0008.22R	Manopola	1					10
3	10.3066.00R	An.OR 1,78x15,6 mm	1					10
4	22.0002.31R	Raccordo M18x1 M-G1/4F ott.	1					5
4	22.0007.31R	Raccordo M18x1M-1/4 Npt F ott. (2)	1					5


(1) 22.0000.15 (2) 22.0000.05

**22.0000.00 TR1 nzl/hold.,adj. 1/4F Bsp-1/4F Npt**

**22.0000.05 TR1 nzl/hold.,adj. 1/4FF Npt**



**22.0000.15 TR1 nzl/hold.,adj. 1/4F Bsp-1/8F Npt**

Pos.	P/N	Description	Q.ty	K1	K2	K3	K4	
1	22.0001.31R	Nzl holder, 1/4F Npt-1/4M Bsp brass	1					5
1	22.0004.31R	Nzl holder, 1/8F Npt-1/4M Bsp brass (1)	1					5
2	22.0008.22R	Knob	1					10
3	10.3066.00R	O-ring, 1,78x15,6 mm	1					10
4	22.0002.31R	Coupling, M18x1 M-1/4F Bsp brass	1					5
4	22.0007.31R	Coupling, M18x1 M-1/4F Npt brass (2)	1					5

(1) 22.0000.15 (2) 22.0000.05



P.A. S.p.A.

Via Milano, 13  
42048 Rubiera, Reggio Emilia - Italy

Tel +39.0522.623611  
Fax +39.0522.629600

info@pa-etl.it

[www.pa-etl.it](http://www.pa-etl.it)



COMPANY WITH QUALITY MANAGEMENT  
SYSTEM CERTIFIED BY DNV  
= ISO 9001 =