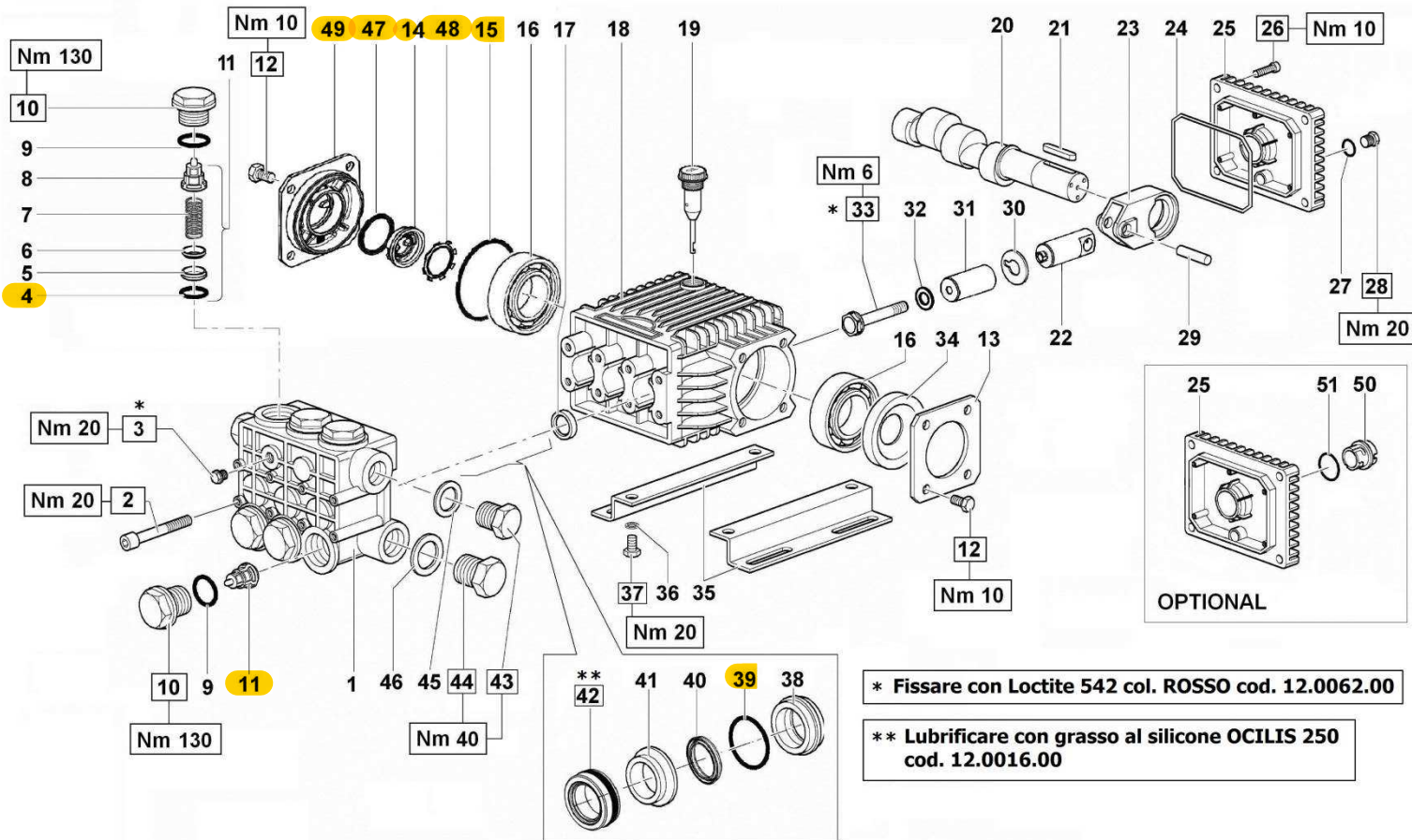


HT series (85°C) Vs VHT Series (110°C) - Highlighted are the seals which differ between the HT & VHT series pumps, all seals and repair kits are interchangeable depending on your system working temperature.



* Fissare con Loctite 542 col. ROSSO cod. 12.0062.00

** Lubrificare con grasso al silicone OCILIS 250 cod. 12.0016.00

SERIE 63

Items 14/15/47/48/49 can be ignored as they are a small change to the sight glass and does not affect the temperature rating of the pump.

DIS. COD. 63.9519.00

KIT RICAMBI - SPARE KITS

VHT6311 - VHT6313 - VHT6315

KIT Nr.	KIT 159	KIT 204	KIT 371	KIT 373	KIT374
Posizioni include Positions included	17	40 - 42	4 - 5 6 - 7 8 (11)	9 - 10	38 - 39 40 - 41 42
Nr. Pcs.	3	3	6	6	1

POS	COD.	DESCRIZIONE - DESCRIPTION - KIT	NR
50	63.2100.51	Spia livello olio - OPTIONAL	1
51	90.4051.00	OR D. 26.58x3.53 NBR 70SH 4106 OPTIONAL	1

POS	COD.	DESCRIZIONE - DESCRIPTION - KIT	NR
1	63.1213.41	Testata pompa D. 18	1
2	99.3192.00	Vite M8x65 5931	8
3	98.2042.00	Tappo G 1/4"x9	1
4	90.3841.50	OR D. 17.13x2.62 HNBR 70SH 3068 371	6
5	36.2003.66	Sede valvola 371	6
6	36.2001.76	Valvola sferica 371	6
7	94.7376.00	Molla Dm. 9.4x14.8 371	6
8	36.2025.51	Guida valvola 371	6
9	90.3847.50	OR D. 20.29x2.62 HNBR 90SH 3081 373	6
10	98.2225.00	Tappo M24x1.5 373	6
11	36.7262.01	Gr. valvola aspirazione / mandata 371	6
12	99.1807.00	Vite M8x10 5739.	8
13	50.1500.74	Coperchio laterale lato PTO	1
14	53.2108.51	Vetrino spia livello olio	1
15	90.3898.00	OR D. 56.82x2.62 NBR 70SH 3225	1
16	91.8331.00	Cuscinetto a sfere	2
17	90.1595.00	Anello rad. D. 18.0x26.0x6.0 159	3
18	63.0100.22	Carter pompa	1
19	98.2103.00	Tappo con asta G 3/8"x51	1
20	63.0212.35 63.0218.35 63.0216.35	Albero ecc. C.10 - VHT6311 Albero ecc. C.13 - VHT6313 Albero ecc. C.12 - VHT6315	1
21	91.4892.00	Linguetta 8.0x7.0x35.0	1
22	63.0505.66	Guida pistone	3
23	63.0300.22	Biella	3
24	90.3920.00	OR D.101.27x2.62 NBR 70SH 3400	1

POS	COD.	DESCRIZIONE - DESCRIPTION - KIT	NR
25	63.1600.22 63.1601.22	Coperchio posteriore - OPTIONAL Coperchio posteriore	1
26	99.1837.00	Vite M6x14 UNI 5931	4
27	90.3585.00	OR D. 10.82x1.78 NBR 70SH 2043	1
28	98.2042.50	Tappo G 1/4"x9 TE17 - Zinc.	1
29	97.7335.00	Spinotto D. 9x27.5	3
30	96.6990.00	Rosetta D. 7.5x23.0x0.5	3
31	63.0405.09	Pistone D. 18.0x38.5	3
32	96.6905.00	Rosetta D. 5.0x9.0x0.5	3
33	99.1690.00	Vite M5x55 UNI 5737	3
34	90.1641.00	Anello rad. D. 25.0x62.0x10.0	1
35	50.2000.74	Piede pompa	2
36	96.7016.00	Rosetta D. 8.4x14.4x2.0	4
37	99.3037.00	Vite M8x16 UNI 5739	4
38	63.0803.70	Anello di fondo D. 18 374	3
39	90.3608.50	OR D. 28.30x1.78 HNBR 70SH 2112 374	3
40	90.2200.00	An. ten. alt. D. 18.0x22.5 LP 204 374	3
41	63.2161.70	Anello intermedio D. 18 374	3
42	90.2210.00	An. ten. alt. D. 18.0x28.0x10.0 HP 204 374	3
43	98.2099.00	Tappo G 3/8"x13	1
44	98.2179.00	Tappo G 1/2"x10	1
45	96.7380.00	Rosetta D. 17.5x23.0x1.5	1
46	96.7514.00	Rosetta D. 21.5x27.0x1.5	1
47	90.3859.00	OR D. 25.07x2.62 NBR 70SH 3100	1
48	90.0671.00	Anello d'arresto ZJ30	1
49	53.1500.22	Coperchio laterale lato spia	1